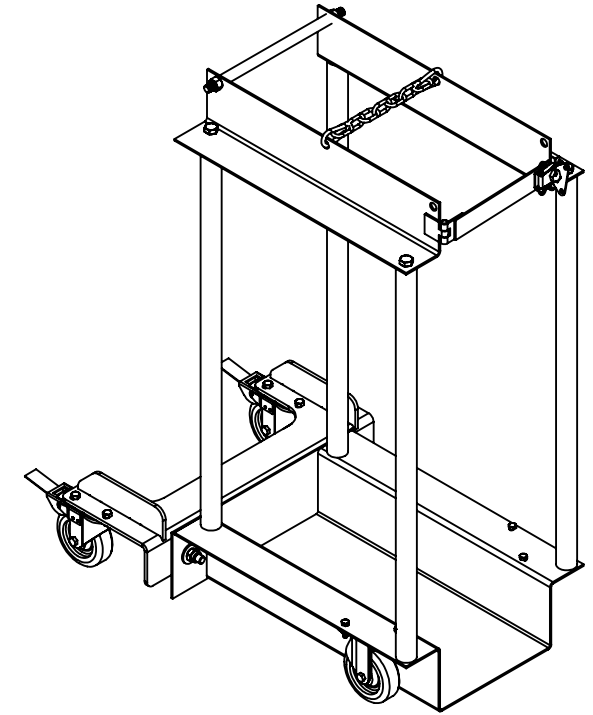
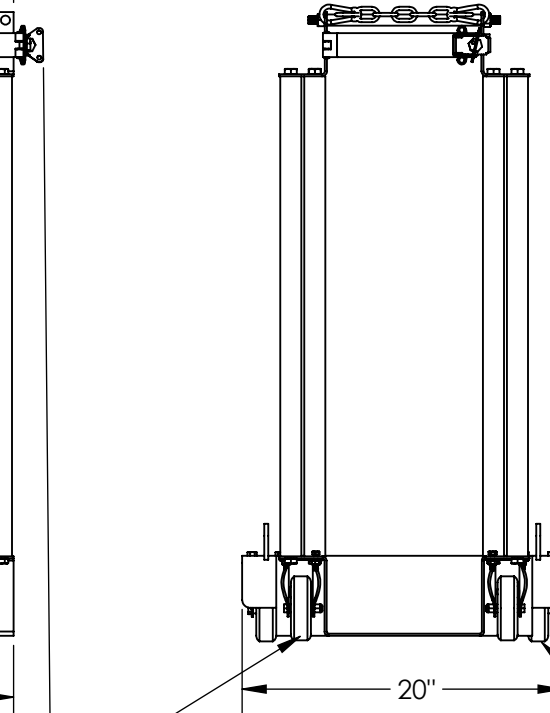
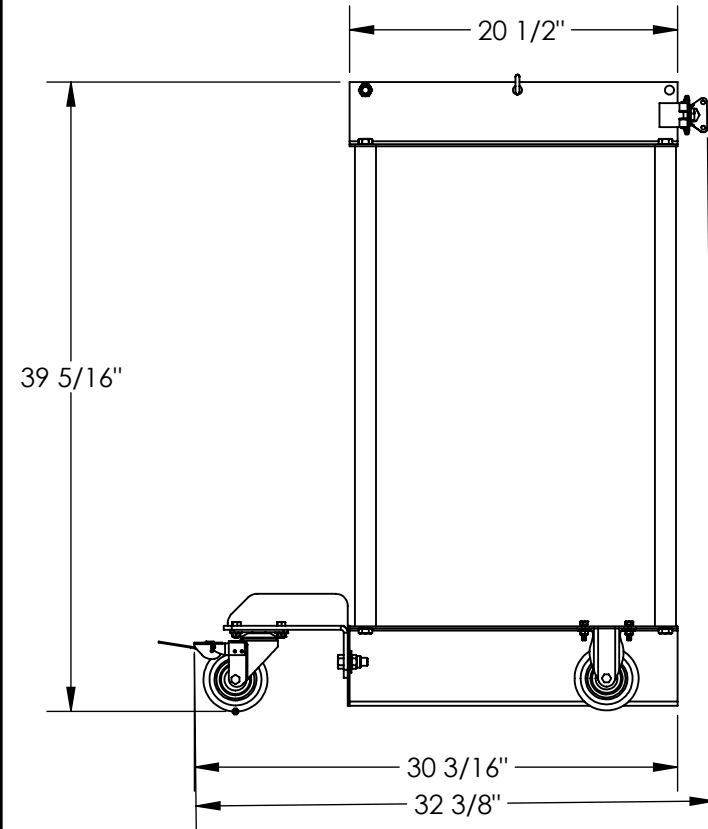


CYLINDER CADDY - PJ-TRUCK-2

APPROX WEIGHT: 85.07 lbs.
 DOES NOT INCLUDE WEIGHT OF POWER OR PACKAGING!!!

*** ANY ADDITIONS, DELETIONS, OR OMISSIONS MUST BE CORRECTED ON THIS DRAWING AS THIS DRAWING WILL BE CONSIDERED ALL INCLUSIVE ***

ALL GRAPHICS PROVIDED ARE FOR REFERENCE ONLY. IF CERTAIN DIMENSIONS ARE CRITICAL PLEASE VERIFY THOSE DIMENSIONS WITH YOUR SALESPERSON



Ø4" x 1 1/4" POLY ON POLY RIGID CASTERS

Ø4" x 1 1/4" POLY ON POLY SWIVEL W/ BRAKE CASTERS

DIMENSION TOLERANCE ± 1/4"

STANDARD FEATURES

- MODEL NUMBER IS PJ-TRUCK-2
- OVERALL WIDTH IS 20"
- OVERALL LENGTH IS 30 3/16"
- OVERALL LENGTH W/ HARDWARE IS 31 15/16"
- OVERALL HEIGHT IS 32 3/8"
- HOLDS 2 CYLINDERS
- Ø9 1/2" MAX CYLINDER DIAMETER
- MAXIMUM CAPACITY IS 400 LBS
- INCLUDES (2) Ø4" X 1-1/4" POLY ON POLY SWIVEL CASTERS WITH BRAKE & (2) Ø4" X 1-1/4" POLY ON POLY RIGID CASTERS
- TOUGH BAKED IN POWDER COATED BLUE FINISH

SPECIAL FEATURES

NONE

APPROVAL	I, THE UNDERSIGNED, AGREE THAT THE PRODUCT AS REPRESENTED SATISFIES DESIGN AND DIMENSION REQUIREMENTS. I ALSO ACKNOWLEDGE MY DUTY TO CONFIRM PRODUCT AND INSTALLATION COMPLIANCE WITH ALL APPLICABLE FEDERAL, STATE AND LOCAL REGULATIONS AND STANDARDS.	
	UNITS REQUIRING APPROVAL DRAWINGS OR MODIFIED ARE NON-RETURNABLE	
	[] As drawn	[] As marked
Signed: _____		Date: _____
Printed Name: _____		
LEAD TIME WILL START UPON RECEIPT OF SIGNED APPROVAL DRAWING		

FOR INTERNAL USE ONLY PROJECT SIGN OFF	
SALES	
ENG.	
FAB.	
POWER	

DISTRIBUTOR'S NAME:		P.O.#
VESTIL MANUFACTURING		X
DRAWN BY: KGH		W.O.#
DATE: 8/1/2017		X
REFERENCE: X	SCALE: 1:12	SALES: X
QUOTED LEAD TIME: X	QUOTE #	FILE NAME:
	X	33-007-331